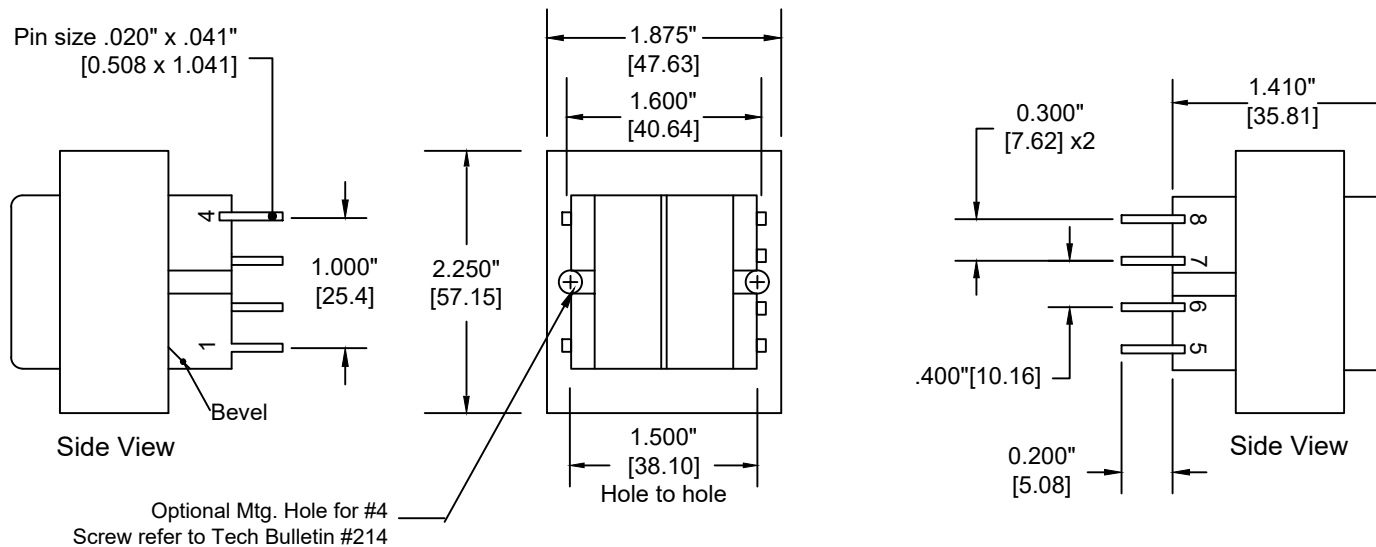


SPW-610-S Series : 20 VA Standard Profile PC Mount Power transformers with a single 115V primary and dual secondaries for Domestic power applications. Split bobbin construction provides excellent primary to secondary isolation.

- Dielectric Strength - 2500Vrms Hipot primary - secondary
- Primary - Single primary 115V, 60 Hz
- Dual Secondaries - Series or Parallel
- UL Recognized CLASS B (130°C) Insulation system, UL 1446 (File E85315)
- Three flange bobbin design, no electrostatic shield required
- 100% Final Tested - Every transformer is tested on automated panels for induced voltage (shorted turns), exciting current, open circuit voltage (turns ratio), polarity (phasing) and dielectric strength
- Immersed in 100% solids epoxy resin to withstand most aqueous and solvent cleaning systems
- Other primary and secondary voltages may be custom designed to your specifications
- Anchor, insulating and crossover tapes. Two distinct, separate windings for each primary and secondary assure excellent Hipot capability between these windings

All dimensions for reference only. []=mm



Bottom View

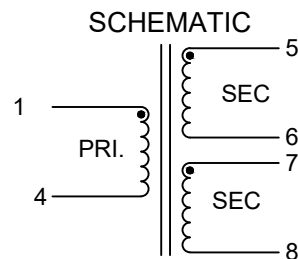
SECONDARY WINDINGS ARE DESIGNED TO BE USED AS ONE SECONDARY WINDING WITH EITHER PARALLEL OR SERIES CONNECTIONS ONLY!

Single Primary (-S)

INPUT VOLTAGE 1 - 4 ; 115V, 60Hz

SECONDARY PARALLEL CONNECTIONS:
TIE 5-7, 6-8; OUTPUT 5-8

SECONDARY SERIES CONNECTIONS:
TIE 6-7; OUTPUT 5-8



Note: Pins 2 & 3 omitted
•Dots indicate like polarity

RMS RATING WITH SECONDARIES CONNECTED IN:

Part Number	VA	Series	Parallel
SPW-610-S	20	10Vct@2.0A	5V@4.0A
SPW-611-S	20	12.6Vct@1.6A	6.3V@3.2A
SPW-612-S	20	16Vct@1.25A	8V@2.5A
SPW-613-S	20	20Vct@1.0A	10V@2.0A
SPW-614-S	20	24Vct@800mA	12V@1.6A
SPW-615-S	20	28Vct@700mA	14V@1.4A
SPW-616-S	20	36Vct@550mA	18V@1.1A
SPW-617-S	20	48Vct@400mA	24V@800mA
SPW-618-S	20	56Vct@350mA	28V@700mA
SPW-619-S	20	120Vct@160mA	60V@320mA

SPW-610-S Series

Notes

Agency Approvals:

UL:
-1446 (File E85315)
-506 / 5085-2 General Purpose (File E 96326)

CSA-C22.2 No. 66.1-06,
66.2-06 General Purpose
(File 063944)

FUSING THE TRANSFORMER TO MEET SAFETY AGENCY REQUIREMENTS IS THE RESPONSIBILITY OF THE CUSTOMER.

-1 Update CSA approval 8-7-15

PREM

MAGNETICS INCORPORATED
3521 N. CHAPEL HILL RD.
JOHNSBURG, IL 60051

PREM PART SPW-610-S
DOMESTIC SERIES

Approved: R. RANDOW

Scale: None

Date: 04/09/2015